



Rethink

There was a wonderful group that gathered for our retreat on April 17th to talk about where God is leading Christ Church as we move into the future. The gathering reflected much of the diversity of our congregation especially in terms of including both long time people and newer members and friends. Following from some advance work done by the Church Council, there was enthusiasm for focusing our energy on what we are doing as a congregation that is fruitful. Fruitfulness being that which is effective at achieving our mission as Christ Church (to glorify God through thoughtful and artistic worship by reaching out to those in need, and by actively engaging important social issues) and our mission as a United Methodist Church (making disciples of Jesus Christ for the transformation of the world). Bishop Schnase's book *The Five Practices of Fruitful Congregations* already had us thinking about Radical Hospitality, Intentional Faith Development, Passionate Worship, Risk Taking Mission and Service and Extravagant Generosity. What we were discovering over the past several months is how many things we are already doing that fall into those categories. The question became: What are we doing that we love and could we do it better? In other words, maybe we didn't need a longer list... perhaps, we needed a clearer focus.

At the retreat we reflected on where our passion as individuals and a community intersected with what God intends for our church, our neighborhood and our world. I hope it will come as no surprise and, even more, that you will think, "Of course!" when I write that the two key areas that we lifted up were worship and connection to our neighborhood (thinking globally and acting locally). A third area where we identified a need was in the area of management: a group that will help empower and equip us for ministry by focusing on communications issues and organization of information for the various projects, activities, and ministries at CCUM.

What is our challenge when so much of what we do already falls into one of these areas of focus? In the spirit of all our RETHINK Church conversations, what would it mean to look at our Worship and our Outreach and RETHINK things with an aim toward fruitfulness and excellence? Church Council in May will plan how to move us forward with earlier conversations about Ushers, Greeters, and Coffee Fellowship as a start. We will reflect on how the **May 2nd Worship/Service Spill Out** went and consider the **1000 paper cranes** installation project and how these events found a point of intersection between worship and the world beyond our doors and offered an opportunity to touch lives and invite people to experience God, church and followers of Jesus in a new way. More of our focus shifts to who is not here, but could be, and how to welcome them into relationship with us and with the One in whose name we pray and serve. Relationship, with God and one another, must be at the heart of what we are doing whether it is churros, or meatballs, or cranes, or Block Parties, or washing police cars, or talking about a book.

I am grateful, as always, to be questioning, serving, growing with you... figuring out what it means to be following Jesus' Way, working for love and justice and peace through our worship and our witness, and inviting others to join us on the journey.

Grace and Peace, Pastor Nina

C ontents	Live Broadcasts..... 2	Building Access 3	April Flowers 9
	Website Redesign..... 2	Church Council 3	May Birthdays..... 9
	Embury District Conference 2	Devotion..... 3	May Calendar..... 9
	May short term study 2	Talent Auction 4, 5, 6	May Anniversaries 9
		Just for kids 7	Spire Deadline..... 10
		Easter Flowers..... 8	SAAT..... 10

God intends the church to be a community that embodies love, grace, and justice for all people. As a Reconciling Congregation, we therefore affirm the sacred worth of and welcome persons of any sexual orientation, gender, gender identity, age, marital status, race, ethnic background, economic condition, and physical or mental ability as full participants in our community of faith. God's love includes everyone, as does Christ Church United Methodist.

Live Broadcasts of Our Services & Events Over the Internet

We would like to thank all the folks who attended the coffee talk on April 11th to provide feedback on streaming our services and events over the internet. All in all, we had over 25 people attend and engage in a very productive conversation. We discussed how using this technology would allow Christ Church to spread its message to a broader audience while allowing our current members to stay connected when they are not physical able to attend services. Concerns about maintaining privacy and the safety of our children were raised. We also talked about “What’s the purpose of the stream” and “How best to integrate it into a service”, as well as “How do we continue to maintain a welcoming worship space for all people”. The feedback from this discussion has been shared with the church staff and worship planning teams as we continue to explore this exciting new medium. Stay tuned for further discussions on this topic.

Update on Website redesign Coffee Talk

Thank you to all who attended the coffee talk on updating our church website. The outcome of the discussion resulted in the group identifying the following areas of improvement:

1. Communications of Church Events,
2. Creating links to our social networking sites such as Christ Church’s facebook, fan pages, and Rethink Group page,
3. Communication of our facility amenities (parking, childcare, etc),
4. Adding links to videos of the sermon on our ustream channel,
5. Creating a special projects page.

The areas of improvement identified above will help guide and focus the efforts of the website redesign team as they begin the next steps in updating the website.

Embury District Conference

May 8, Shaftsbury, VT, 9 a.m.

This is the final Conference of the Embury District which currently includes churches in Vermont,- they will become part of the New England Conference, and churches in New York State will become part of the new conference in Upper New York. The Embury District Churches in Washington County will become part of the Adirondack District. Those in Rensselaer and southern Saratoga County will become part of the Albany District. Our current District Superintendent, the Rev. Jan McCrary Rowell will be moving to the Oneonta District which means as we merge into the current Albany District we will get a...

...New District Superintendent.

As of July 1st, Rev. Dr. James Fenimore, previously Senior Pastor at Christ Church, will be our District Superintendent.

Habitat for Humanity Update:

We are ready to do some good work for the cause. The work at Ingalls Ave. is now on track and going strong. After a few set-backs that have been overcome, there is plenty of work to be done.

Tasks that are currently underway are siding, trimming windows, strip remaining clapboards, repair fascia/soffit, complete 2X2’s in stairwell, frame closets, finish two north bedrooms, front door, cellar stairs, wall for electric box, back step footings, front porch bricks and brick up north and east cellar windows.

If you are interested in participating as a volunteer, please let me know via e-mail or phone. Curtis.dunagan@yahoo.com or 674-0999 or 506-5975

Short term Study for May, Tuesdays @ 7:30 pm

4 discussions on what we personally believe and why and how we can share those beliefs with others who think differently (even other Christians!) Facilitated by Pastor Janet and lasting 60-90 minutes each.

May 4th: What about other religions? Is Christianity the only way?

May 11th: What is scripture? How come certain scriptures became the “Holy Bible”?

May 18th: What is worship? What about prayer?

May 25th: What does it mean to be a Christian? What can the lives of early Christians tell us about that?

Closing session of Troy Annual Conference

Saturday, May 22nd,

The closing session of the Troy Annual Conference will be held on Saturday, May 22nd, at Christ Church, 54 Bay St, Glens Falls, N.Y. Registration is still open and the cost is \$50. (If you have ever read the plaque on our sanctuary wall you will know that the first ever session of The Troy Annual Conference took place on our land in 1832.)

Devotion**Nancy Burgin**

“We need a smart light here!” Tim exclaims. I hear this every morning on our way to his school, as we have to wait for other cars. “You don’t want a smart light,” I tell him. “What you want is a light that favors you.”

We all like to be favored, and favorite. This tendency shows up in the story of Peter and Cornelius. Peter is one of the favored ones, God’s special people. He’s not ready to share the good news about Jesus with outsiders, especially Romans. (Remember, Peter’s land was occupied by the Romans) So God has to send him a vision, not once, but THREE times. (Peter, like us, can take a lot of convincing.) When he is pondering the vision, the messengers that Cornelius had sent to Peter show up. (Cornelius only needed to be told once. He’s already ahead of Peter in that regard.) Peter goes with them to Cornelius’ home. Peter finally gets it! “I most certainly understand now that God is not one to show partiality, but in every nation the person who reverences Him and does what is right, is welcome to Him. (Act 10:34-35). It’s something for me to think about, next time we’re stopped at that infamous traffic light.

Need orange! Want yellow! (please.)

Our crane organizers need some very specific papers for the final part of the installation when it goes up in the days before Pentecost: almost entirely orange paper is in shortest supply, followed by yellow, red and green (think Christmas paper for those last two!) So whether it is from catalogs, reused wrapping paper or some far more creative source than we can imagine..., large enough to get a 12 inch square cut from it, Alice Rose and her team would be delighted to receive them.

Assignment for Church Council, Thursday May 20th 7pm.

Members of Church Council will be given a short book to dip into for the devotional part at the start of our meeting. It is a collection of the sayings of Jesus, which many scholars believe are some of the oldest recorded, remembered words of Jesus: you may recall someone talking about the “Q Gospel.”

If we had only these sayings, without the stories and the narrative, what would we see as our business as followers of Jesus? What’s your favorite? What’s bewildering? Upsetting? Missing? Once Church Council households have a copy, any remaining books will be given out to anyone who would like to join in our discussion that evening.

One focus for the business meeting that evening, following on from our Visioning Retreat, will be the whole Sunday morning worship experience at Christ Church so-- if you have ever been and want to be a Greeter or an Usher; if you have ideas for welcoming and inviting; if you have thoughts for the upcoming bulletin re-design. Another group will continue the conversation on our Website and Live streaming. All are invited.

Building Access

The Trustees have been considering options on how best to secure the Church while the number of people and groups using the building has increased. A byproduct of our efforts to increase the use of the building through space sharing is the need to increase the number of keys to get into the building. Keeping track of keys presents a security challenge, because every time we grant access to a new group we increase the number of keys in use at a cost of \$45.00. Some groups need only limited access to the building and sometimes, as with some of the groups that have evening events, the door must be monitored so that it is not unlocked for extended periods after hours.

The Trustees have chosen to install an electronic pass card system on the main door of the parish house. The new lock will be activated by a wallet card that will open the lock. If a card is lost, it will be deactivated, and entry will be denied. The lock can be programmed to accept some cards for specific hours. If a group needs to get into the building from 6-8 pm on a Tuesday, for example, the card will not open the lock any other time.

Initial estimates for this system were upwards of \$4,000 from a local locksmith. Because of the cost the project was put on hold. Recently the Trustees consulted Henry Pawlak of Pawlak Enterprises, a local security professional who specializes in electronic locks, pass card systems and closed circuit TV systems. Mr. Pawlak offered both the lock and the installation of the system as a gift to the church. As a result, the total cost to the church will be less than \$1,000. We expect to have the new lock installed in the next few weeks, at which time we will issue the pass cards as needed.

Talent Auction 2010

Have Fun!! Celebrate your God-given Talent

This is a partial listing of some of our items up for bid.

Item 1: Adirondack Landscape Painting

Picture this – you have hiked and climbed to get to the summit of a mountain, looking around you see all the splendor of nature. Randi Bentley has captured the Adirondacks so well in this painting. This painting will accent your home nicely.

Starting bid \$300

Item 2: A Guided Bird walking Tour Given by Kate Storms

Have you ever wondered what species of bird you saw? Well, Kate Storms will take you on a guided bird walking tour with your choice of location.

Starting bid \$10

Item 3: An Indian Dessert

This dessert will be made by Savi Mark and is called Gulab Jamun, these are sweet balls soaked in a sugar syrup. Sounds very intriguing. Savi will make 20 pieces for a family of 4 or 5 with the date and time to be arranged.

Starting Bid \$8

Item 4: Out to Lunch

It's not what you think (if you're thinking what I think you're thinking); this item is offered by a person who has actually turned treating people to lunch into an art form. You may know our Pastor Nina is an inspirational preacher, talented musician, and gifted runner, but if you weren't around for last year's auction or don't get to Troy during the noon hour, you may not realize she loves to combine exploring the eateries of the City with lively conversation. So break bread or slurp soup with the pastor, and help Christ Church at the same time! 4 lunches for one person, or 2 lunches for two. Dates and locations to be arranged.

Starting bid \$30

Item 5: Coffee Table Book: Bob Blackmon Paintings

Many of you have seen Bob Blackmon's paintings and know he is a talented artist. This book has a collection of Bob's 36 baroque style still life paintings.

Starting bid \$50

Item 6: Cream Tea to Go Either/Or (for 4)

This year's contributors are doing a good job of feeding the body AND the mind; Pastor Janet's item sent me scurrying once again on the internet to find out just what a Cream Tea is. According to Wikipedia, a cream tea is given "wherever someone wants to give an impression of British influence." So there you have it! Pastor Janet will supply scones (properly pronounced with a short "o," by the way), cream and strawberry preserves packed in a basket with 2 bottles of spritzer, "glasses," napkins, plates and flatware – all ready for a Sunday afternoon snack by the canal or in the park. A tradition from the county of Devon, UK. Take-out (or "take-away," as the Brits say) never tasted so good! Or, you may choose 3 batches of scones, delivered different days, to include one batch of plain scones with preserves and cream; one batch of cheese scones and one batch of apple scones.

Starting bid: \$22

Item 7: Springerle in Autumn

For those of you who like a dessert with a fascinating heritage (if my on-line historical sources are reliable, of course), this cookie made by Dorcas Rose at Thanksgiving time is for you. According to godecooker.com, "Springerle" comes from an old German dialect that means "little knight" or "jumping horse," and can be traced back to Julfest, a pagan Germanic celebration involving the sacrifice of cookies to the gods... or something like that (check out the web site yourself – it's good reading). The ingredients are simple but the process isn't: the cookies are made with eggs, sugar and flour and flavored with anise seeds, then rolled with a carved rolling pin. They keep for several weeks in an airtight container. One batch makes at least 6 – 7 dozen.

Starting bid \$8

Item 8: Crocheted Table Runner

Using white crochet thread, this 15in by 60in runner is done in a basic webbed stitch and will decorate the top of your sideboard or table and protect it's highly polished surface. Webbed patterns get their name from their resemblance to spider's webs, but really look very lacy.

Starting bid \$30.

Item 9: Cards for all Occasions

Speaking of multi-talented and generous – in addition to playing hand bells, clarinet and softball (which are rather hard to auction off), Jess MacDonald applies her artistry to paper and creates note cards, which are useful and

unique – not to mention easy to take home.

Starting bid \$8

Item 10: Help with Stuff

If you need some help with basic cleaning, moving or putting things in order around the house, then Brian Aldrich is your man. With George Garin's help, Brian will provide you with 2 hours of valuable assistance in getting that work done.

Starting bid \$15

Item 11: Sofa-Sized Afghan

Imagine this, curling up on the sofa, covering up with this crocheted granny square afghan, sipping some tea and reading a good book! Suzanne Sherman will make your afghan. Highest bidder may choose colors.

Starting bid \$45

Item 12: Mother's Little Helper by Micah Torres

Who wouldn't love to have a mother's little helper like Micah Torres? She is always willing to lend a helping hand. She will help with the children, help around the house, or whatever you need.

Starting bid \$10

Item 13: Full Italian Dinner from Beginning to Dessert

Now that's Italian. Theresa Manciocci will make homemade lasagna with sauce, salad and garlic bread as well as provide the drinks for four. The highest bidder may choose from the following desserts: key lime pie, chocolate peanut butter brownies, chocolate chip cookies, chocolate raspberry bars or a pumpkin cheesecake.

Starting bid \$30

Item 14A: Under the hood computer checkup

If one geek is good how about two? The father/son team of Ron and Tim Burgin will take a look at your system and provide 2 hours of advice or technical help, as you require. Any additional hardware/software needed to fix/improve your system is not covered, but they can point you to spots to save you money; if that's what's required. There is a lot that we can help you with that is already on your system or free. So you're sure to get your money's worth on a high bid on this item.

Starting bid: \$25

Item 14B: Under the hood computer checkup

No, you're not having déjà vu, the father/son computer team of Burgin & Burgin is offering another session of consultation for your computer woes (or challenges if the problems aren't getting to you that much). Two hours of technical help and/or money-saving advice (hardware or software not included).

Starting bid \$25

Item 14C: Under the hood computer checkup

Wow, look at this, the father/son computer team of Burgin & Burgin has offered not one, not two but three sessions of consultation for your computer. Two hours of technical help and/or money-saving advice (hardware or software not included).

Starting bid \$25

Item 15: Afternoon to Dye For

-or morning – or evening....Pastor Janet, who is much braver than I, is willing to host up to 3 people (adults/kids) at the church to hand-dye two silk habotai (okay, you guys get to look this one up yourselves) scarf and one velour cut-out scarf each – or come and make all 6 yourself. The scarves make great birthday or Christmas gifts, and this is an item where you actually get to acquire a new talent of your own! Pastor Janet's craft group sells these scarves for \$20 to \$30 each.

Starting bid \$35

Item 16: Remember Records!

Do you have old songs that you have on records but cannot find on a CD? Pastor Janet has generously offered to take 5 records and place on a CD so you can enjoy them once again!

Starting bid \$20

Item 17A: Guitar Lesson

Would you like to learn to play the guitar? George Garin, whom we all know plays very well, will be your instructor. This lesson will be for 30 minutes and will surely be fun.

Starting bid \$5

Item 17B: Guitar Lesson

So what can we learn to play, well George Garin will help the lucky bidder discover the workings of the guitar. This will be a 30 minute lesson.

Starting bid \$5

Item 17C: Guitar Lesson

Have you thought of what you might like to play on the guitar some day? This could be your start. George Garin is offering another 30 minute lesson.

Starting bid \$5

Item 18: Portrait

You have seen many of Dave MacDonald's pictures both on the screen during church services and also on many items that he has donated to the talent auction. This year he is offering a portrait with a digital file.

Starting bid \$45

Item 19: Hand Turned Cherry Bowl

This five inch cherry bowl is a beautiful accent piece donated by David Brooks. Cherry is David's favorite wood to turn.

Starting bid \$25

But Wait, There's More!

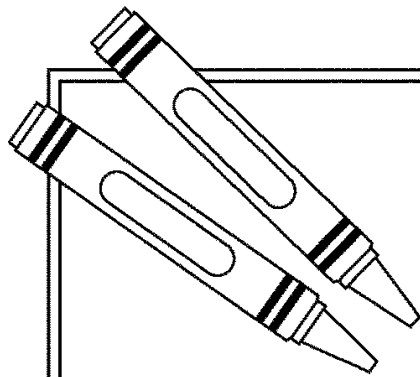
As of "press time" (ie., the Spire deadline), we were still collecting details on a few outstanding items to be offered. So, you'll have to join us for coffee in the Wesley Room after church Sunday, May 9 and the coming weeks to see what we add to the mix. Don't miss out on the fun – bid high and bid often! !

Rules of Bidding for Christ Church Talent Auction

In the interest of maintaining a fair and truly charitable auction, please note:

- Bidding will open Sunday, May 9th, 2010 at 11:30 a.m.
- Bids may be made: in writing (in person or by proxy, but proxy must be so noted) on the posted bid sheets until 12:00 noon on June 13, 2010; or by e-mail or telephone to the Church office no later than 12:00 noon on Friday, June 11th, 2010.
- Highest bids will be confirmed with bidders before results are announced
- All bids must be made in good faith (no joke bids or bidding without intention of purchasing)
- All bids must be accompanied by a telephone number or 3-mail address where you can be reached; if your number is unlisted, you may provide it confidentially to the Church office
- No anonymous bids will be accepted
- Payment must be received by the Church before arrangements are made for provision of service
- Be kind. Unfavorable remarks regarding the relative value of items offered can only hurt our mission to be a caring community.





Just for KIDS

Parables

Jesus used stories called parables to teach his followers. Sometimes we have to look for their meaning!

Find the names of these parables in the puzzle below. You will find them across, diagonal, up and down. Be sure to circle all of the words in each name.

sower
weeds
yeast
pearl
net
tenants
talents

lost sheep
lost son
lost coin
growing seeds
rich fool
ten virgins
mustard seed

hidden treasure
wedding banquet
shrewd manager
persistent widow
unmerciful servant
good Samaritan
workers in the vineyard

S O W E R T A L E N T S P A T B C D E F
 V U E T N T S R G P O N E M E K J I H G
 A B E C Y E D E F G H I A J N K L M N O
 H I D D E N T R E A S U R E A B Q E Q P
 M U S T A R D S E E D E L A N C D M R W
 S D E E S G N I W O R G D B T X L O M E
 R L O S T S H E E P T L C V S P W R N D
 W O R K E R S I N T H E V I N E Y A R D
 A L B I C D E F G H E I J K L M N O P I
 L O S T C O I N J H G N F D E W A G A N
 A S L N C H F J L N M C V Y T E R R B G
 B T K M F O F G A M Y L O I M N E D C B
 C S J J S H G O O D S A M A R I T A N A
 D O H K Q Z J P O J U L I A B G C V B N
 E N G L A B K M N L E R I N A B I M T Q
 P E R S I S T E N T W I D O W A N N B U
 S H R E W D M A N A G E R R T Y H N S E
 E F T N A V R E S L U F I C R E M N U T

Easter Flowers

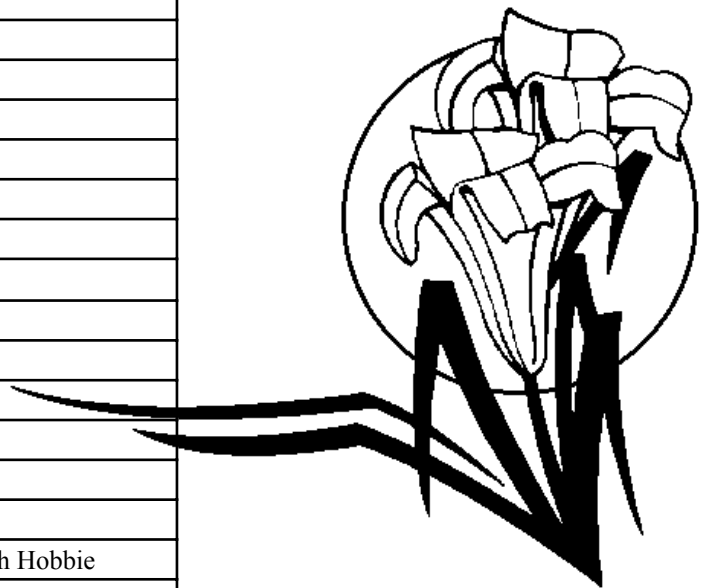
Given By	In Memory or Honor Of
Thila & Harry Bell	Their parents
Sue Blom & Family	Bill Blom
Lowell & Marilyn Blom	Loved ones
Linda & Mark Campbell	Her mother, Bette Keyes
Curtis & Esther Dunagan	Her mother, Ellen Mohl Wheland and grandparents, Benjamin & Esther Mohl
“	His father, Claude Dunagan & grandmother, Julia Lindsey
A Friend	Warren Christian & daughter, Barbara Truax
The Cooper-Smith Memorial	Mr. & Mrs. Frank A. Cooper
Judy Feiden	Henry, Harry C. & Harry C. Feiden Jr
Margie Feiden	Fred, Mary, Catherine & Rita Besaw
In celebration of Izabella Furciniti's Baptism	
Mr. W. Warren Gibson	His parents
The Guile Family	Marjorie & Marilyn James
Fred & Martha Hess	His parents, Grace & Wendell Hess
“	His brothers, John & Wendell Hess
Sharon, Joel & family	James H. Meyer (Papa)
“	Donald marsh Holcomb (Grampie)
Lee & Roger Kemp	In honor of friends - past present and future
The Family	George & Dorothy Large
Shirley Large	Her parents, Marge & John E. Wattendorf
The Lovegrove Family	George Lovegrove
“	Loved ones
Alice Rose & Paul Marano	Brenda Joy Marano & Dorothy Rose Taylor
“	The Joy of Easter
The Mattoon-Holland Family	Loved ones
Mrs. Thomas Q. McNaughton	Mr. & Mrs. Bruce J. Riggs
“	Miss Thelma J. Riggs
“	Mr. & Mrs. Dennie B. Riggs
“	Mr. & Mrs. Henry Kreiss
“	Miss Helen M. Holmes
“	Mr. I. Hite Riggs
Doris Mooradian	Ed Mooradian
Noreen, Jaclyn, Malissa & Andy	Marcel Pilette
The Pryor Family	Jack & Marge Douthiel
“	Thelma & Ed Pryor
The Rose Family	In celebration of Easter
Betty & Nick Sopchak	Loved ones
Katherine Storms	Thomas Hobbie, MD & Elizabeth Hobbie
Jim & Jamie Thompson	Gayle Thompson
Bennett S. Turk	Karen A. Carpenter
Loretta Turner	The Turner family
Shirley Weiner	Family members

Daily Devotions

During the 2010 Lenten Season a number of Christ Church members shared reflections on “Friends” and “Friendship” via daily emails. We would like to make these “Daily Devotions” available in a printed/hard copy edition to anyone who might appreciate them. If you'd like a copy, please add your name to the sign up sheet on the church window or just let George Garin know. We hope to have these available by Pentecost. Thanks.

Festival Choir to prepare for Music Sunday

All are welcome to join our Festival Choir to sing on Music Sunday, June 6th. Rehearsals will take place on three Wednesdays immediately following bell choir at 8pm on May 19th, May 26th and June 2nd. Andrew Torres will lead the choir and Kate Storms will accompany.



Sunday	Monday	Tuesday	Wednesday	Thursday	Friday	Saturday
30 ^{3pm iGen}	31	Regular Sunday Schedule 9.30am: Church School (All ages) 10:30am: Worship 11:30am Coffee fellowship				1
2 ^{Communion short service & SpillOut 3pm iGen}	3	4 ^{9am Wshp Planning 10:30am Study 7pm Disciple 7:30pm Study}	5 ^{7pm Bell Choir}	6 ^{7pm Finance}	7	8 ^{Habitat work day Embury District conference}
9 ^{3pm iGen}	10	11 ^{9am Wshp Planning 10:30am Study 6:30pm SAAT 7pm Disciple 7:30pm Study}	12 ^{7pm Bell Choir}	13 ^{7pm Trustees}	14	15
16 ^{3pm iGen}	17	18 ^{9am Wshp Planning 10:30am Study 7pm Disciple 7:30pm Study}	19 ^{7pm Bell Choir 8pm Voice choir}	20 ^{7pm Church Council}	21	22 ^{TAC closing session}
23 ^{Pentecost 3pm iGen Spire Deadline}	24	25 ^{9am Wshp Planning 10:30am Study 7pm Disciple 7:30pm Study}	26 ^{7pm Bell Choir 8pm Voice choir}	27	28	20

May Birthdays.

1 st	Nancy Burgin	2 nd	Roger Kemp	2 nd	Ron Burgin	3 rd	Grace Horr
5 th	Ina Neitzel-Richards	5 th	Betty Mattoon	8 th	Jennifer Berben	13 th	Dorcas Rose
17 th	Bob Blackmon	18 th	Sophia Ellis	19 th	Lauren Valentine	23 rd	Timothy MacDonald
25 th	Kevin Facteau	27 th	Marje Feiden	29 th	Diane Hedley		

Anniversaries.

11 th	Deb and Nick Sopchak
------------------	----------------------

April Flowers

4 th	Memorial Flower listing.
11 th and 18 th	Continue to enjoy Easter flowers
25 th	Given by Marilyn & Lowell Blom in appreciation for the prayers, cards and support from the Christ Church family during the past 5 weeks.

NEEDED--There are still Sundays open for altar flowers in May. Anyone interested should contact Marilyn Blom (almost healthy again and able to be out & about!!) or the church office. The cost for the 2 vases is \$43.00 total and they can be used by the donor or we will take them to shut-ins during the day or 2 after the service.

THANK YOU--For all the prayers, cards and support during my recent (and very unexpected) illness. It was truly felt and much appreciated. Also, a special 'thank you' for everyone who helped unwrap, arrange and care for the Easter altar plants (and outside garden areas).

Summer Spire Deadline

The deadline for the summer Spire is Sunday May 23rd.

The newsletter that is produced at the end of May is our last full newsletter until the end of August. If you have notifications for the Summer months - however tentative- please make sure to submit a short paragraph soon so those interested can check in with the Office for more details later.

Christ Church United Methodist
35 State Street, Troy, New York 12180
Return Service Requested

Non-profit Org
U.S. Postage
PAID
Troy, NY 12180
Permit #496

SAAT

Over the past few months SAAT (Social Action and Awareness Team) has sponsored two book discussions/dinners dealing with the books of Greg Mortenson, "Three Cups of Tea" and its sequel "Stones into Schools". Our thanks to Nancy Campbell for facilitating these discussions as well as to the providers of the delicious food! We were thrilled that friends from the local mosque, including the Imam, could join us for the second discussion. Thursday, April 29 a group of about 10-12 are travelling to Westfield, MA to hear the author in person.

At our recent "Where is God Leading Us?" church planning day on April 17th it was noted that SAAT's agenda has centered on issues of Peace and the Environment over the past years. In light of the peace emphasis may I, as co-facilitator (along with Andrew Torres), express my delight in the choice of church/space/sanctuary art this Easter Season. The 1,000 cranes will not only beautify our space and serve as a sacramental expression of our prayers, but also serve as a powerful symbol of our deep longings for peace. From Wikipedia:

The Thousand Origami Cranes has become a symbol of world peace...through the story of Sadako Sasaki, a Japanese girl who tried to stave off her death from leukemia as a result of radiation from the atomic bombing of Hiroshima during World War II by making one thousand origami cranes, having folded only 644 before her death, and that her friends completed and buried them all with her. (It should be noted that this is only one version of the story, and it is stated at the Hiroshima Peace Memorial Museum that she did, in fact, complete the 1,000 cranes)

Her story is told in the book Sadako and the "Thousand Paper Cranes". Several temples, including some in Tokyo and Hiroshima, have eternal flames for World Peace. At these temples, school groups or individuals often donate Senbazuru to add to the prayer for peace. The cranes are left exposed to the elements, slowly dissolving and becoming tattered as the wish is released. In this way they are related to the prayer flags of India and Tibet.

Our next meeting is tentatively scheduled for Tuesday, May 11th at Andrew's home at 6:30pm.

Finally, in the spirit of the "Re-Think" workshop conducted on April 25th, look for some new initiatives from our group as we re-think what social action and awareness might mean today and into the future, including a SAAT Facebook page in the very near future.

Warmly: George Garin

Office phone 272-8392, Fax 273-8042, URL <http://www.ChristChurchTroy.org>

The Rev. Nina Nichols Senior Pastor email pastornina@christchurchtroy.org Urgent phone: 588-6405

Janet Douglass, Assistant Pastor email janetd@nycap.rr.com Urgent phone: 273-3713

The Rev. C. Joseph Ingraham, Pastor Emeritus